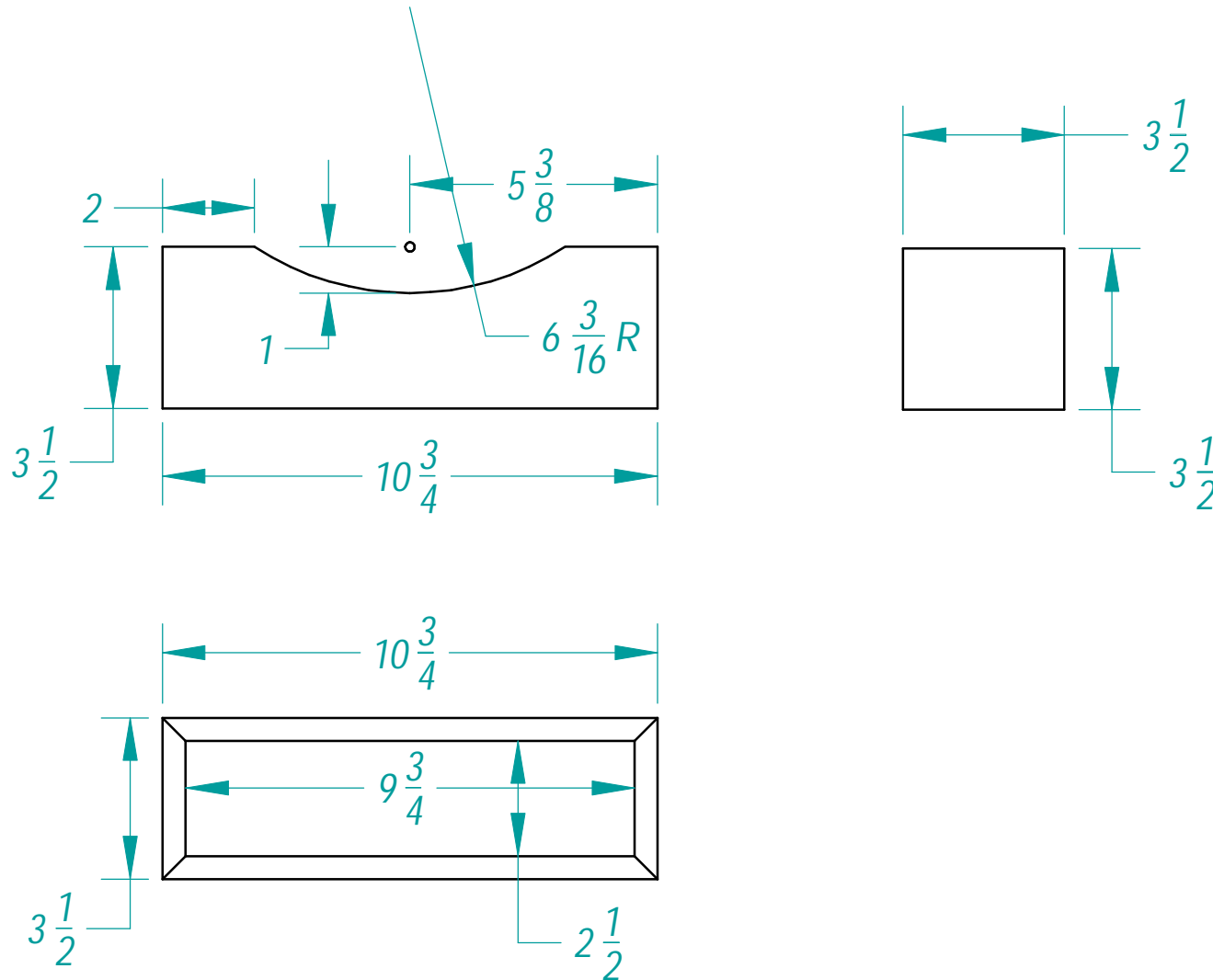


# Letter Box

*Holds standard sized and #10 envelopes.*



*For the bottom, cut a 1/8" dado groove about 1/8" up from the bottom edge on all four pieces.*

*At glue up time, slide a piece of 1/8" Baltic Birch plywood or something similar into the dado groove.*

*This not only helps hold the mitered pieces square during the glue-up but also adds rigidity to the bo*